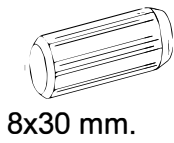


209008-06CF

B



8x30 mm.

x16 P

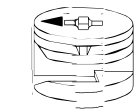
L4530



4.5x30 mm.

x5

C



∅16 mm.

x12 R1



x4

D



7x60 mm.

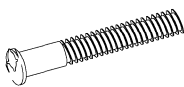
x12 M9



6x9 mm.

x8

E



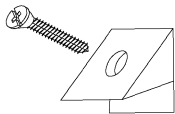
7x60 mm.

x4 R2



x8

F



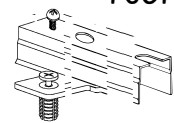
x14 ∅20 mm.



x12

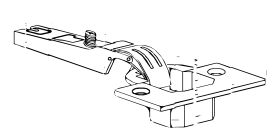
H2T

703790-30CC



x6

C0



x6

L15

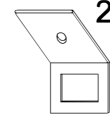


4x15 mm.

x12

T

203565-04CF



x1

L3

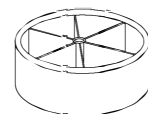


4x18 mm.

x1

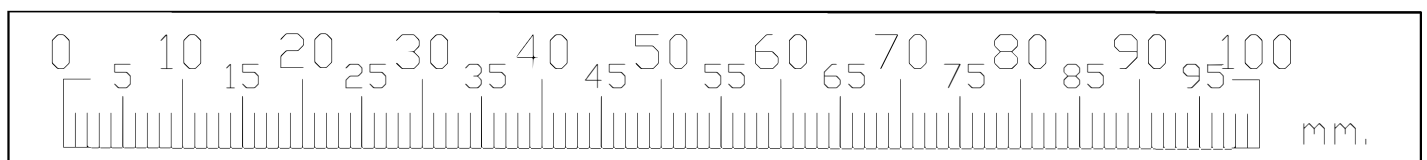
F21

205124-06PIE



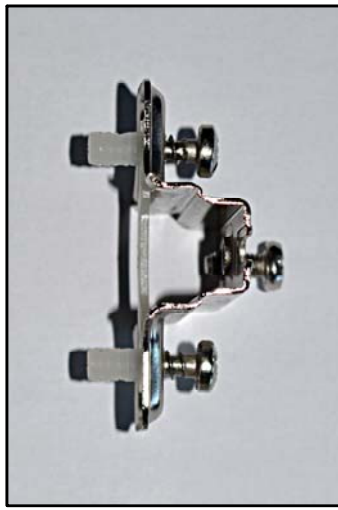
∅ 60 mm
h 20 mm

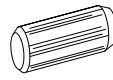
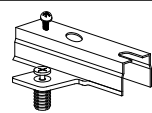
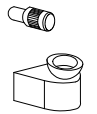
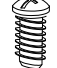
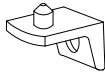
x5

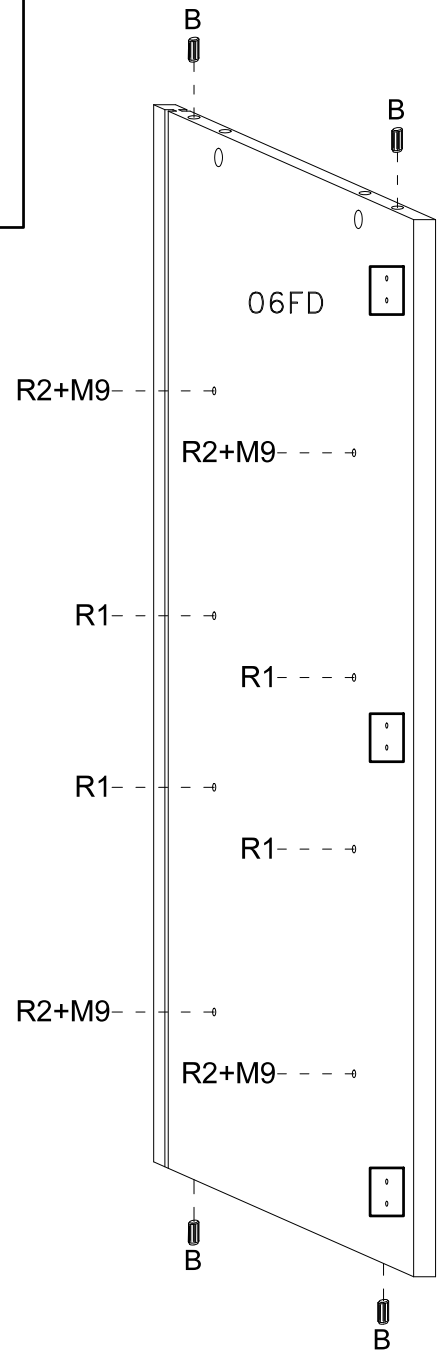
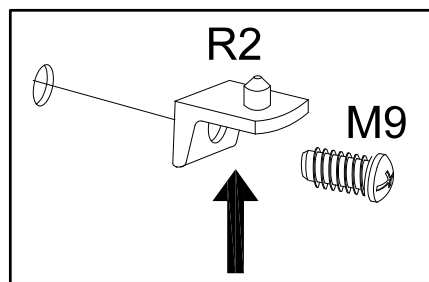
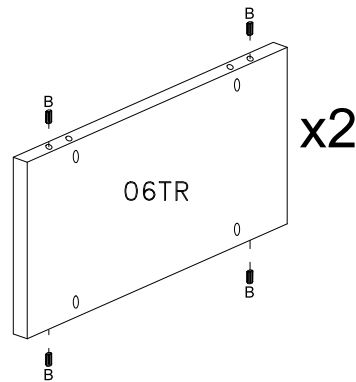
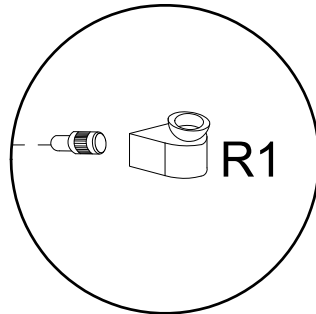
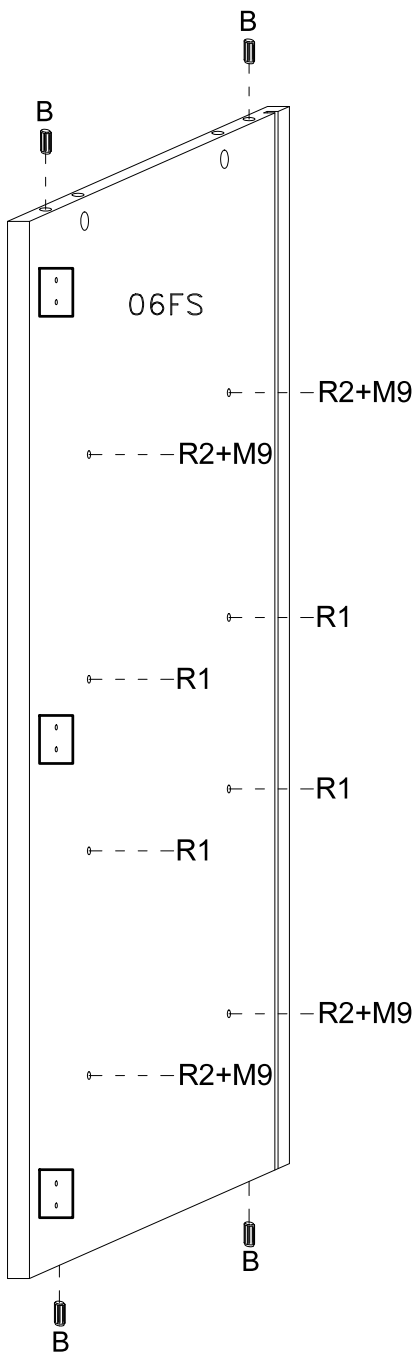
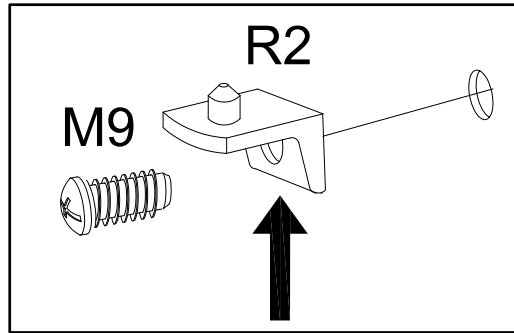


1

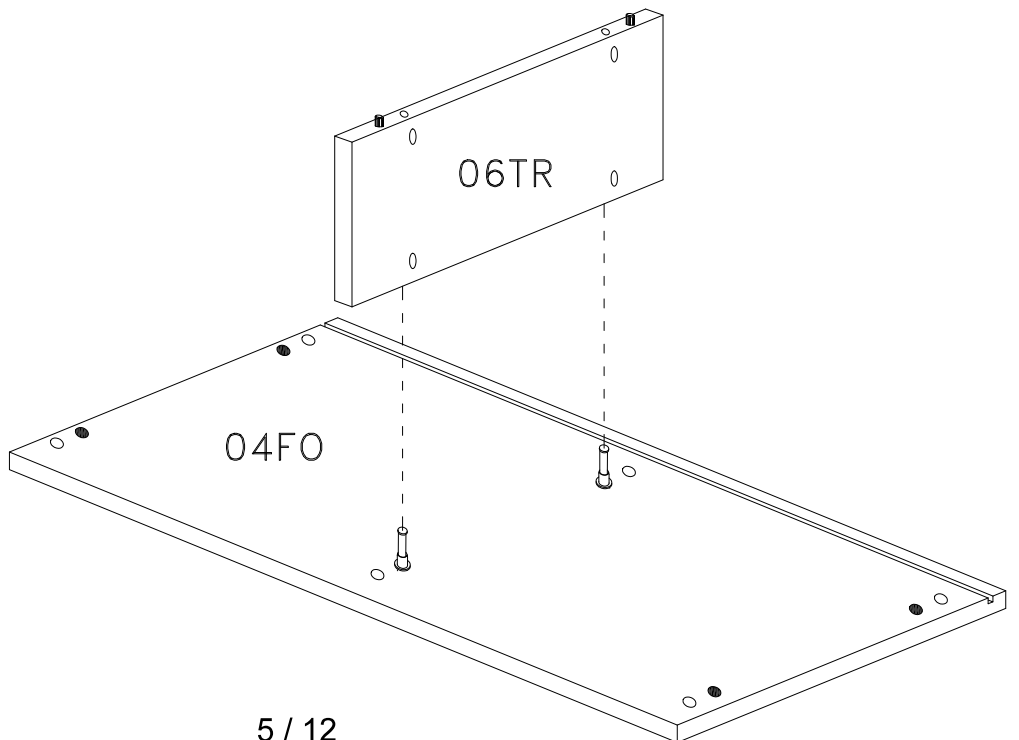
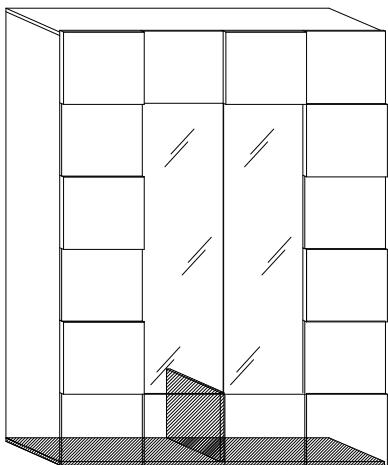
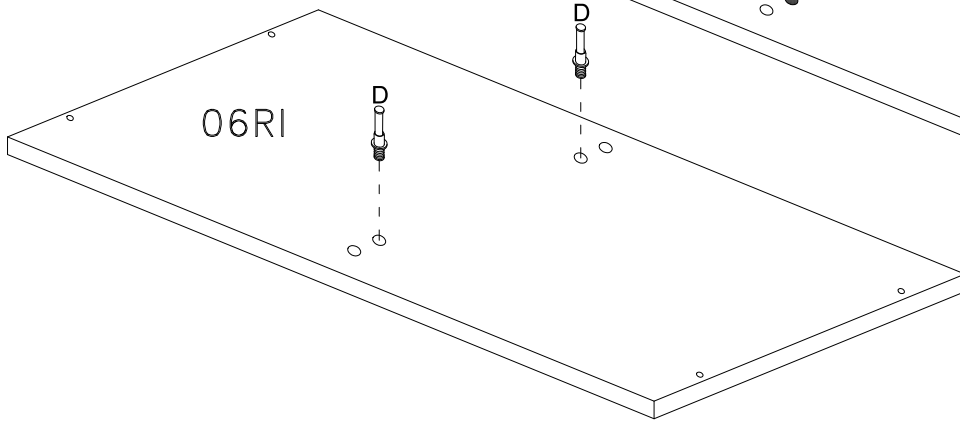
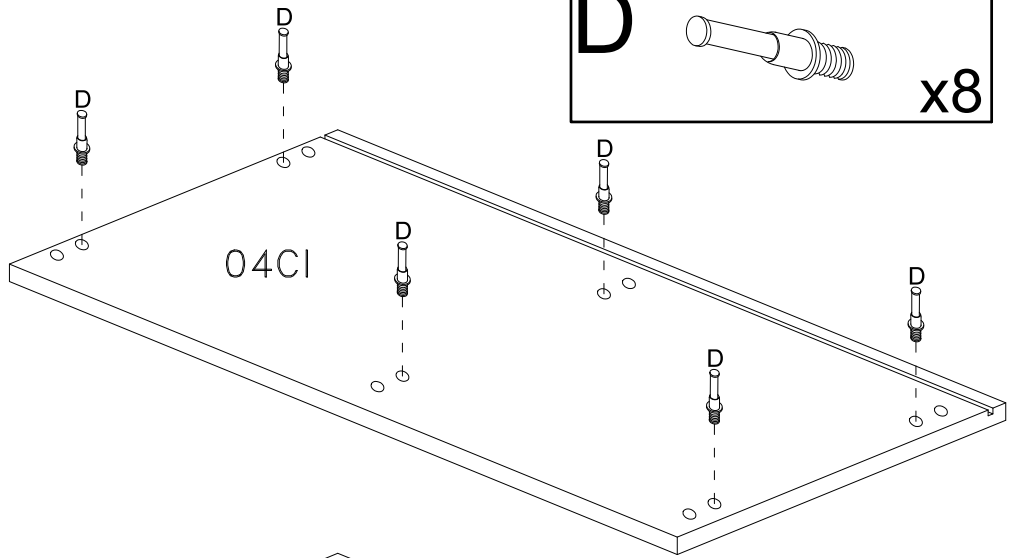
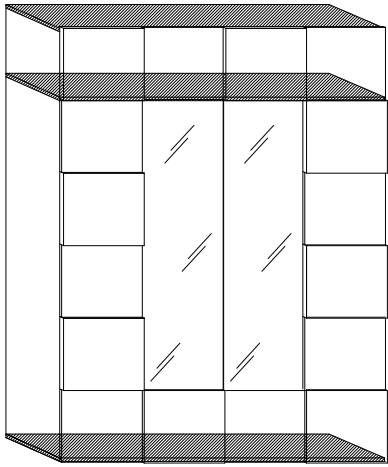
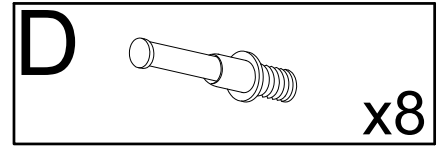
H2T



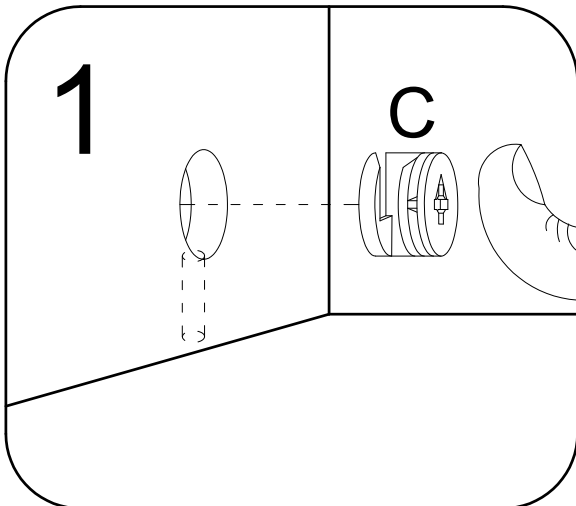
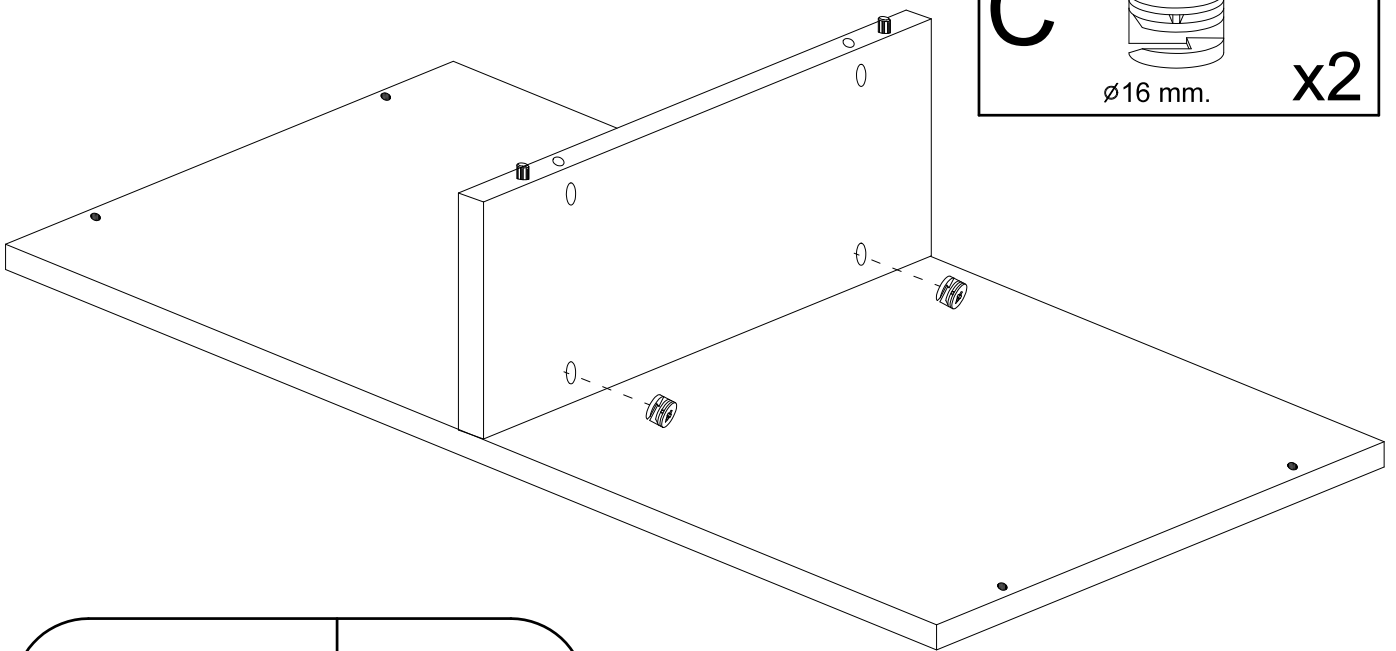
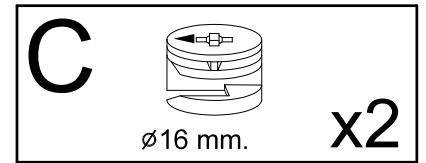
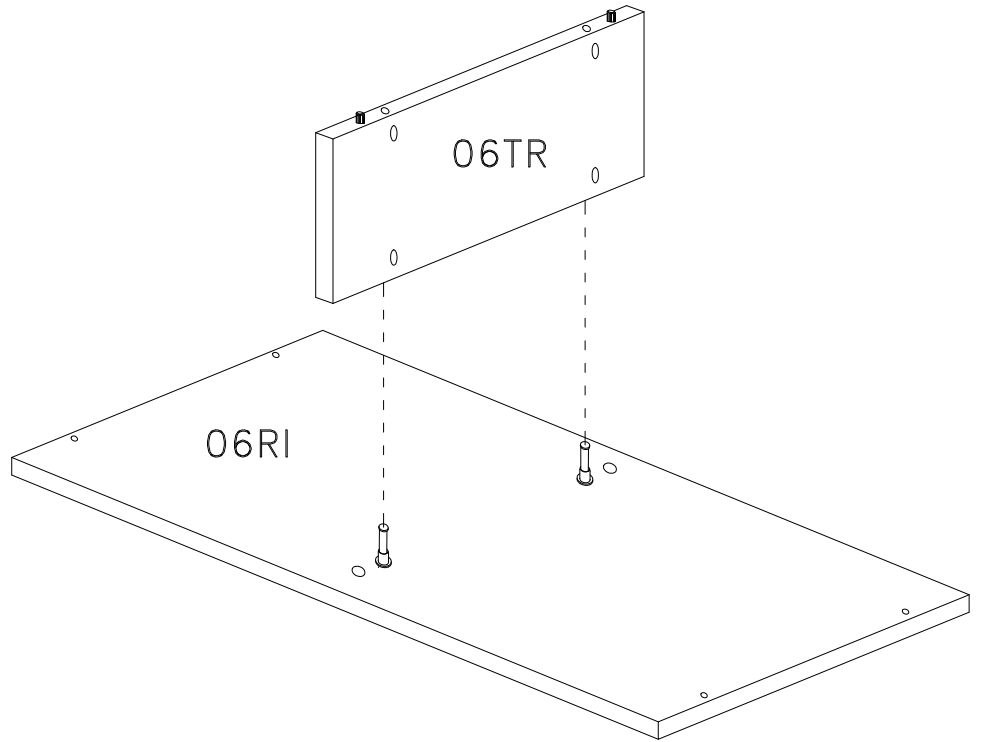
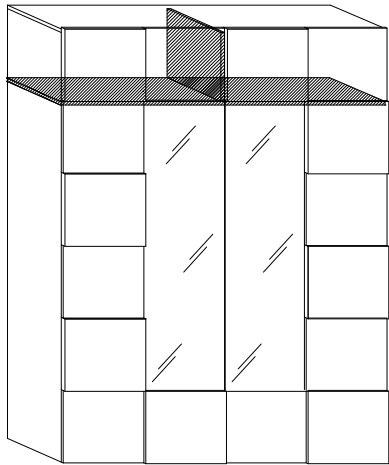
- B**  8x30 mm. **x16**
- H2T**  **x6**
- R1**  **x8**
- M9**  6x9 mm. **x8**
- R2**  **x8**



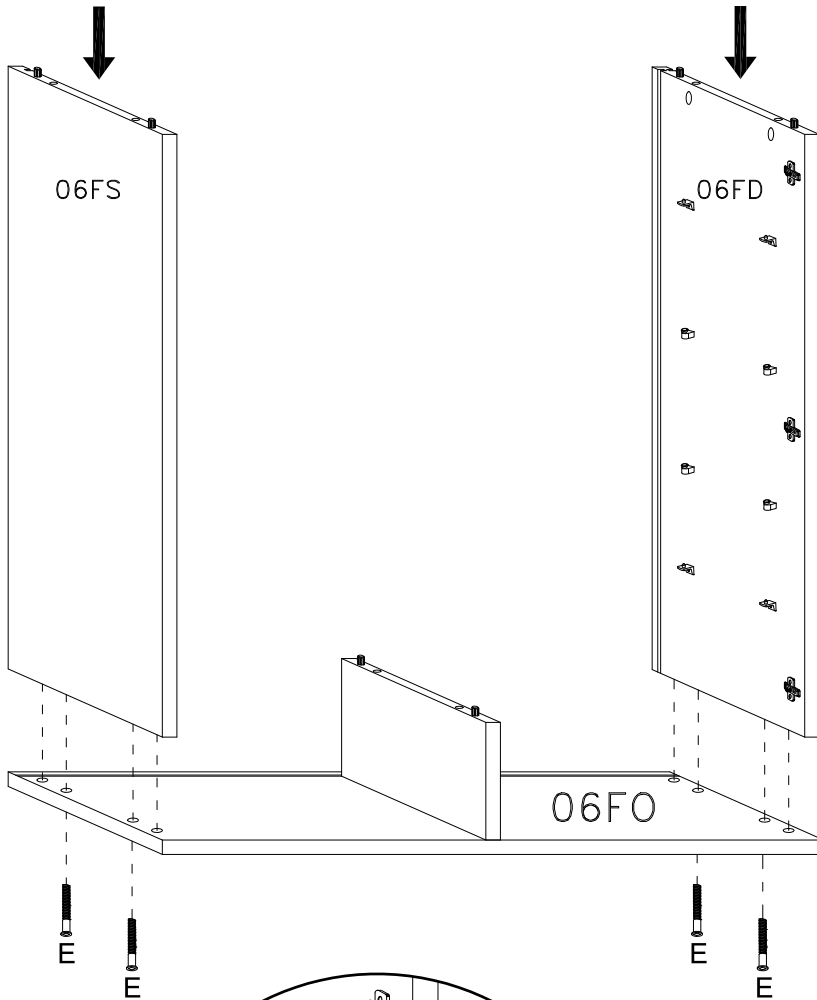
2



3



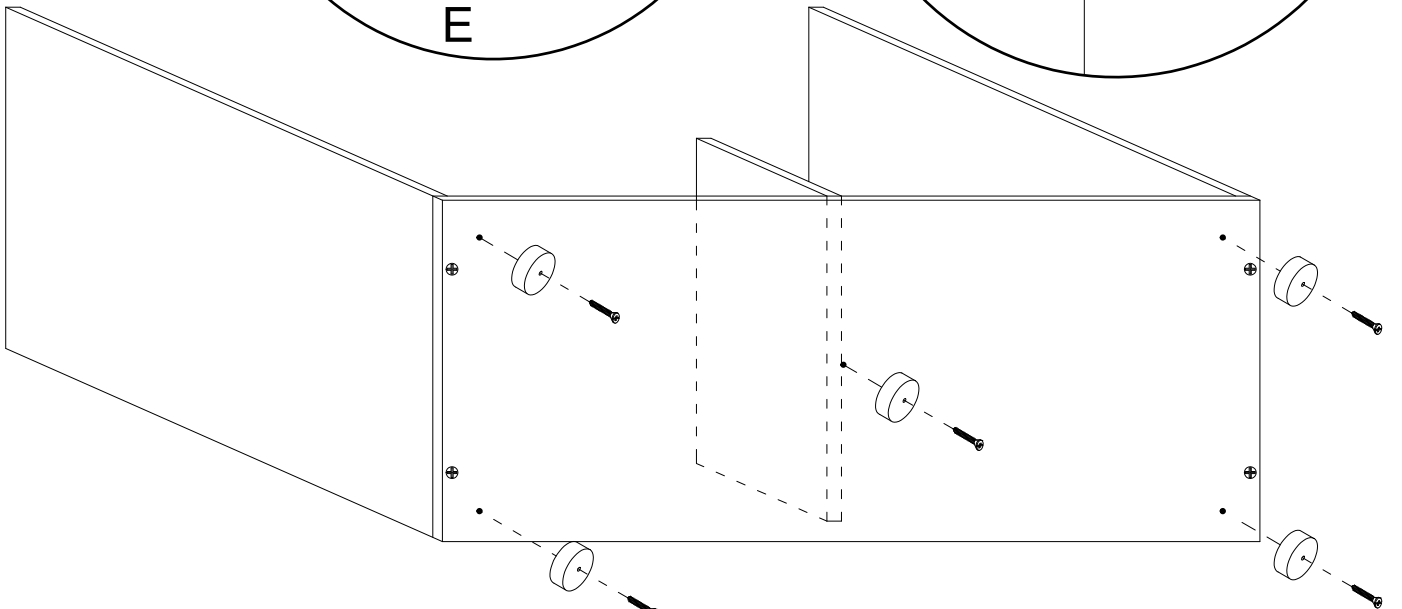
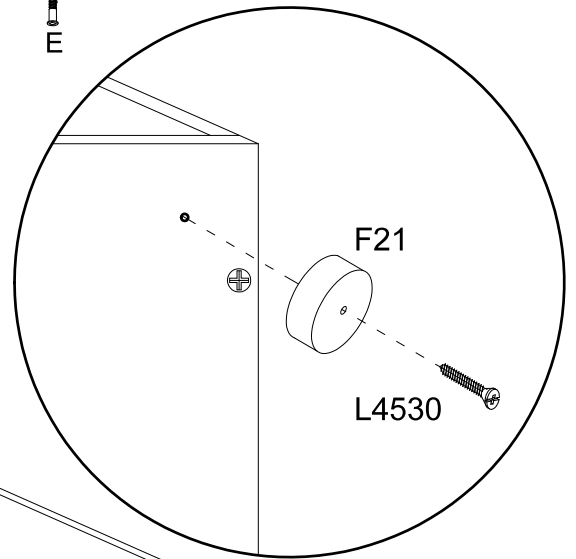
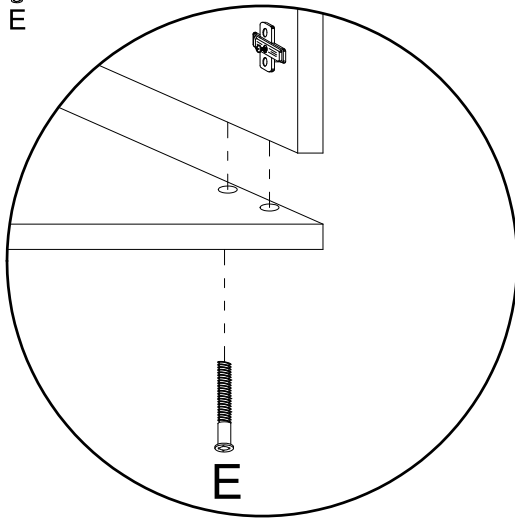
4



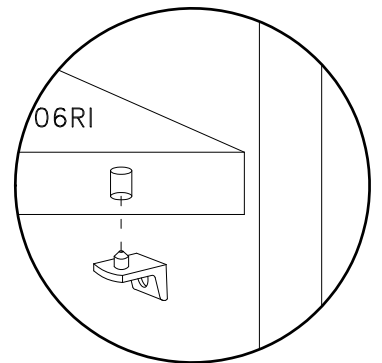
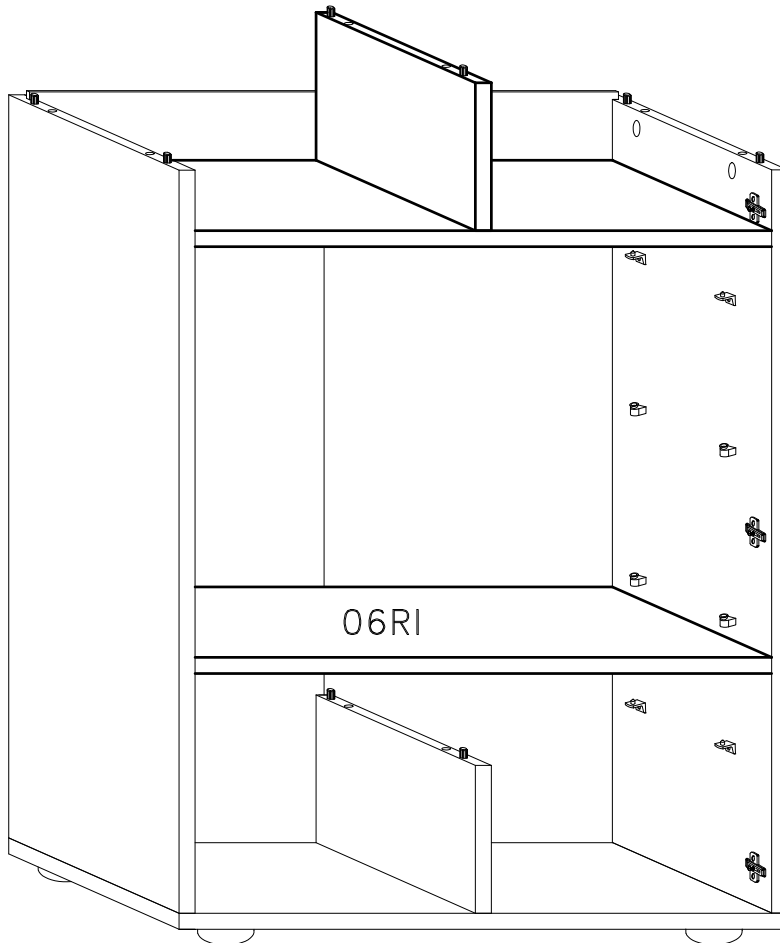
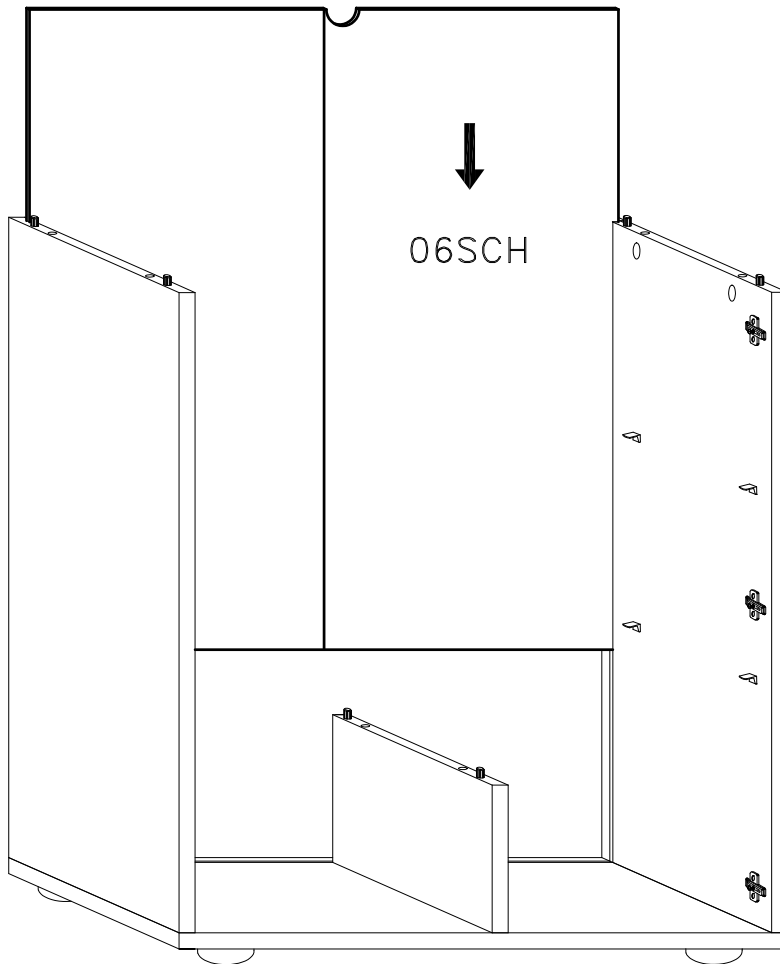
E
7x60 mm. **x4**

L4530
4.5x30 mm. **x5**

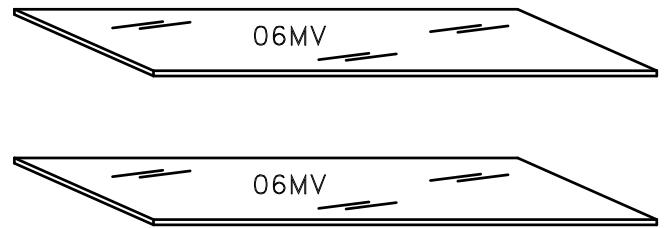
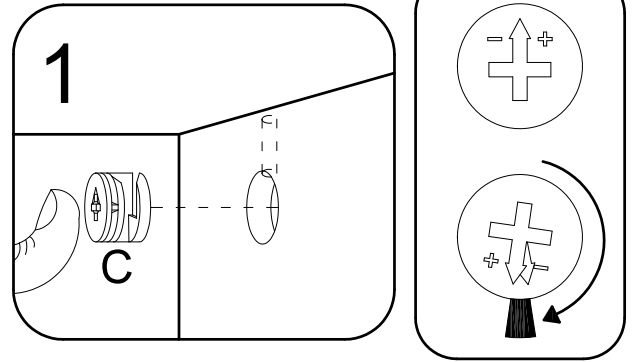
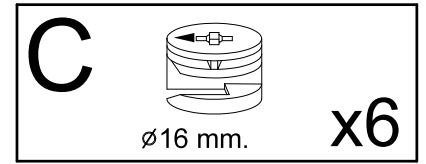
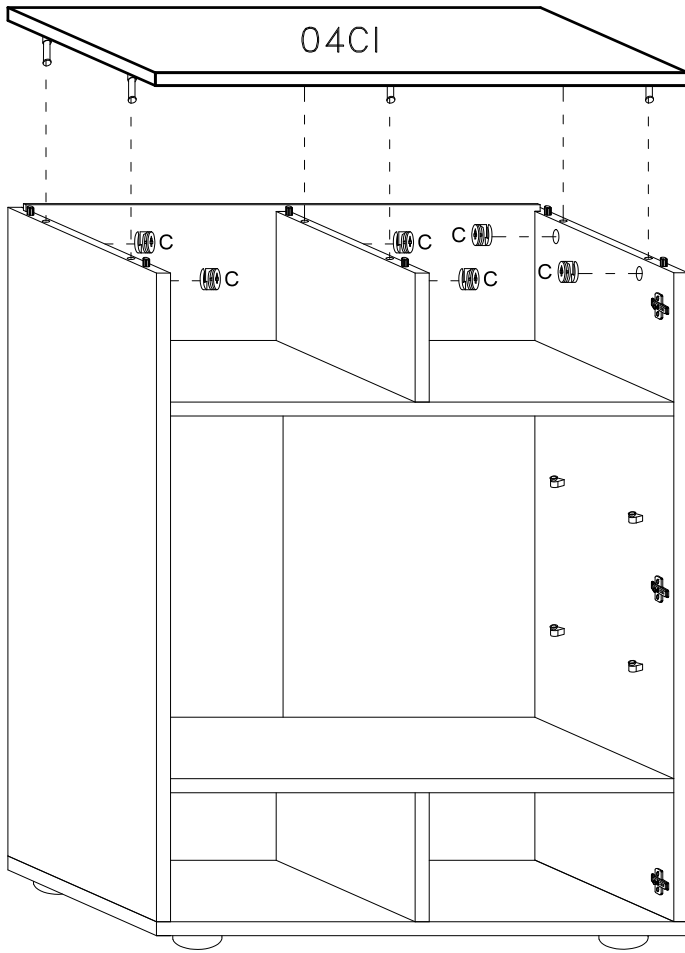
F21
Ø 60 mm
h 20 mm **x5**



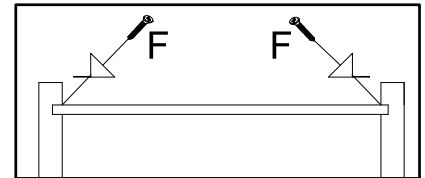
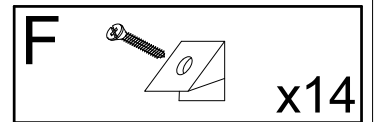
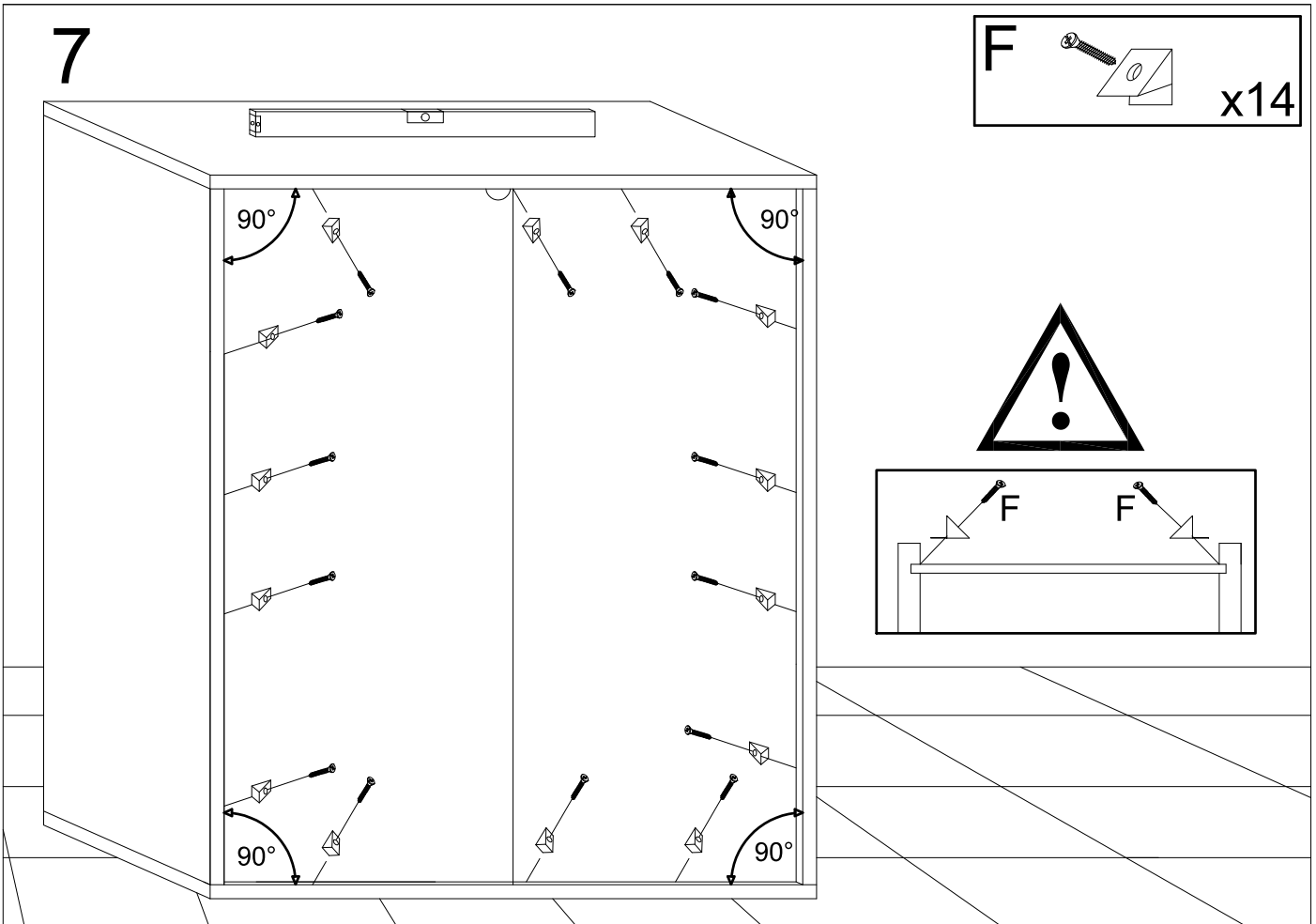
5



6

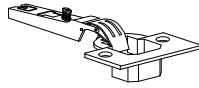


7



8

C0



x6

L15



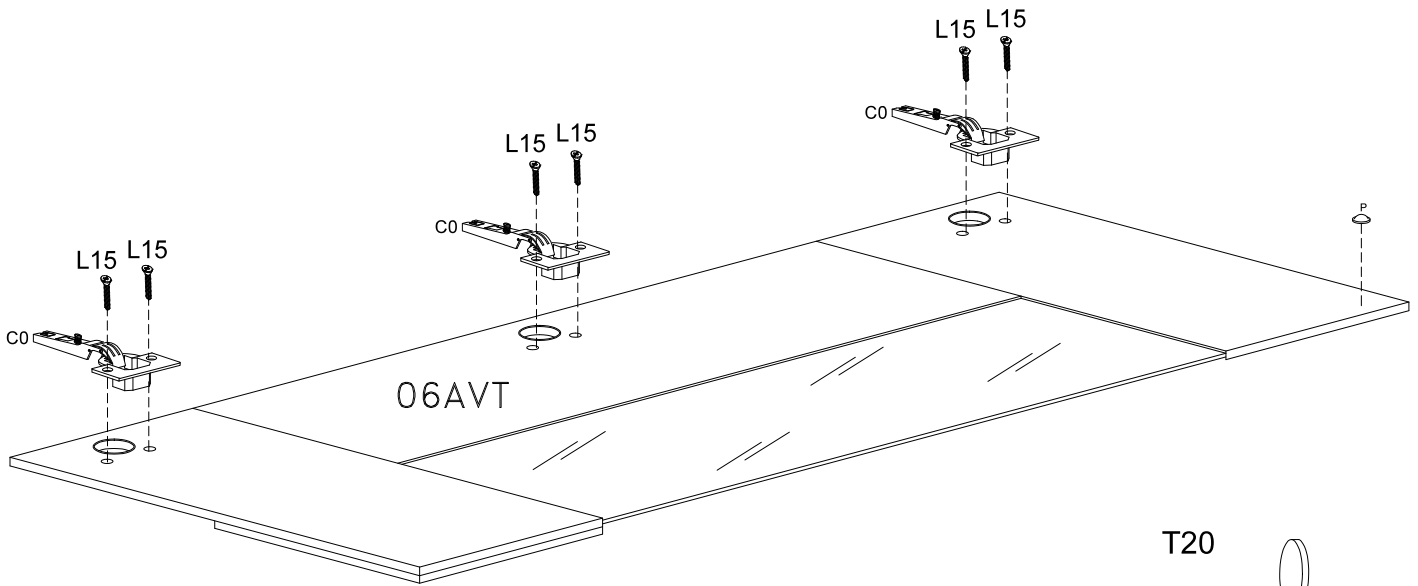
4x15 mm.

x12

P



x2

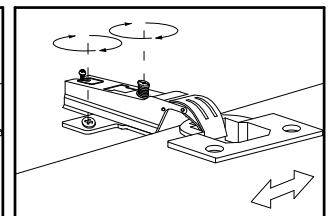
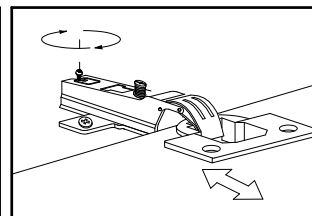
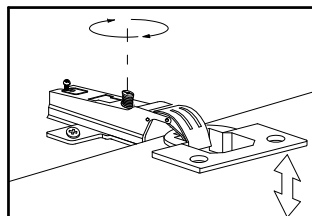
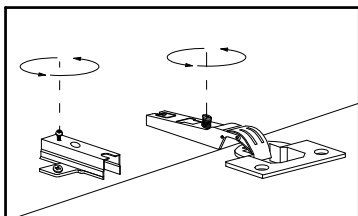
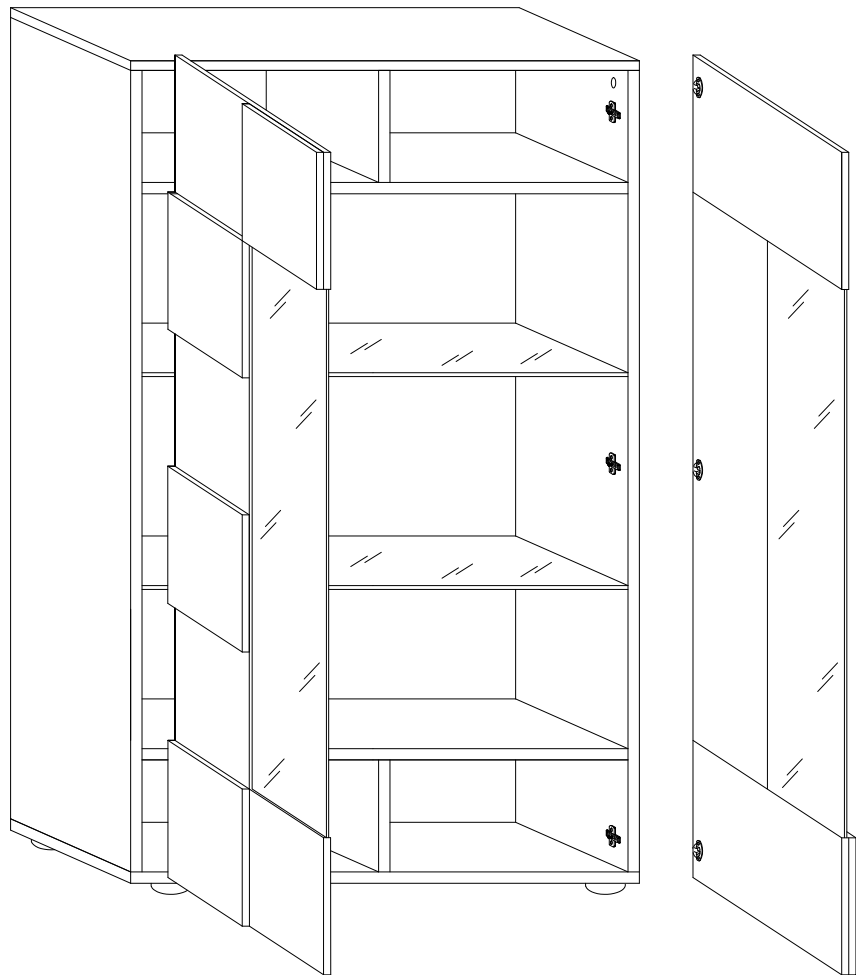
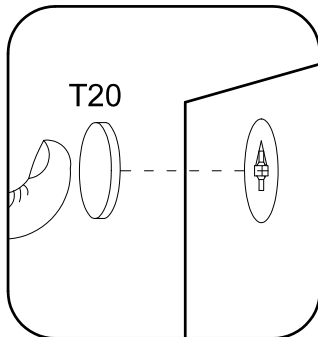


T20

∅20 mm.



x12



9

